



FEATURES

- RWL51 Series LED work lamps produces a light output of 12000 max lumens
- Thermal Management Technology
- Multi-volt 10-30V DC input & super low current draw
- 50,000 hour LED lifespan with solid state technology
- Light weight tough die-cast aluminium housing & polycarbonate lens
- Integrated Deutsch Connector
- Anti-vibration bracket
- Simple 2 wire installation
- Over/under voltage, reverse polarity protection & EMI/EMC radio interference approved

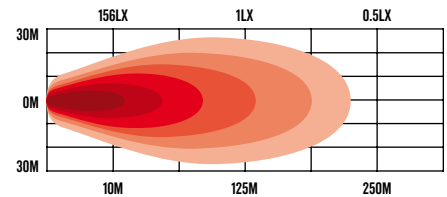


ROADVISION's RWL51 Series work lamps offer uncompromised performance and energy efficiency whilst being compact and easy to install. An integrated Deutsch connector provides an additional installation utility. For rough driving conditions, an anti-vibration bracket allows the work lamp to be steady. The RWL51 Series work lamp feature a lightweight die-cast housing and polycarbonate lens, allowing for worry free operation in even the toughest conditions.

PART NUMBERS

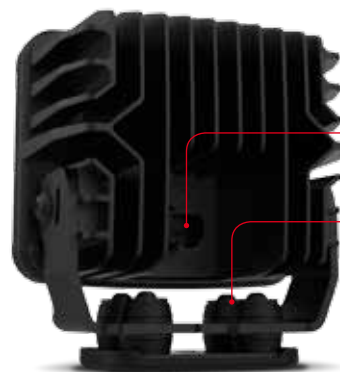
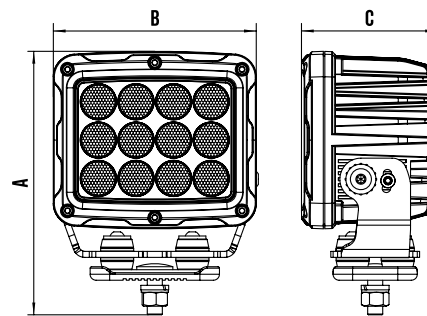


RWL5180F
LED Work Light 10-30V Square 149W Flood Beam



SPECIFICATIONS	RWL5180F
BEAM PATTERN	Flood
MAXIMUM LUMENS	12000lm
INPUT VOLTAGE	10-30 VDC
MAXIMUM WATTS	149W
NUMBER OF LEDS	36 x 5W Osram LEDS
CURRENT DRAW @ 13.8V	12.4 Amps
MAXIMUM LUX @ 10M	156LX
LENS CONSTRUCTION	Polycarbonate
HOUSING CONSTRUCTION	Aluminium
DIMENSIONS AXBXC	155 x 135 x 91mm

LINE DIAGRAM



INTEGRATED DEUTSCH CONNECTOR

ANTI-VIBRATION BRACKET