



FEATURES

- Compact low profile dual stack 10 function 360° high intensity beacons
- Single, double, triple, quad & simulated rotating flash patterns
- Multi-volt 10-30V input & low current draw
- 64 SMD LED's produce 33W
- 100,000 hour rated LED lifespan
- Maintenance free solid state technology
- Impact resistant polycarbonate lens & housing
- Waterproof IP67 rated and vibration proof
- Compact low profile 110 x 89mm body
- Available in 3 hole fixed, magnetic or DIN pole mounts
- EMC, ECE R10 & SAE class 1 approved



Roadvision's RB122 Series twin stack 360° high intensity beacons are at the forefront of automotive lighting technology.... Featuring state-of-the art LED technology, the REVOLVER Series of Roadvision LED beacons are specifically designed and engineered to not only meet, but exceed Australian and international regulations. With an impact resistant polycarbonate lens & housing, the RB122 Series are built to last in even the toughest conditions. Featuring 64 SMD LED's and with 10 selectable flash patterns - including single, double, triple, quad & simulated rotating - the RB122 Series are the perfect LED beacon for a wide range of industrial applications.

PART NUMBERS



RB122Y
Twin Stack Beacon LED 10-30V 10 Flash Patters Amber Fixed Mount



RB122MY
Twin Stack Beacon LED 10-30V 10 Flash Pattern Amber Magnetic Mount



RB122PY
Twin Stack Beacon LED 10-30V 10 Flash Pattern Amber DIN Pole Mount



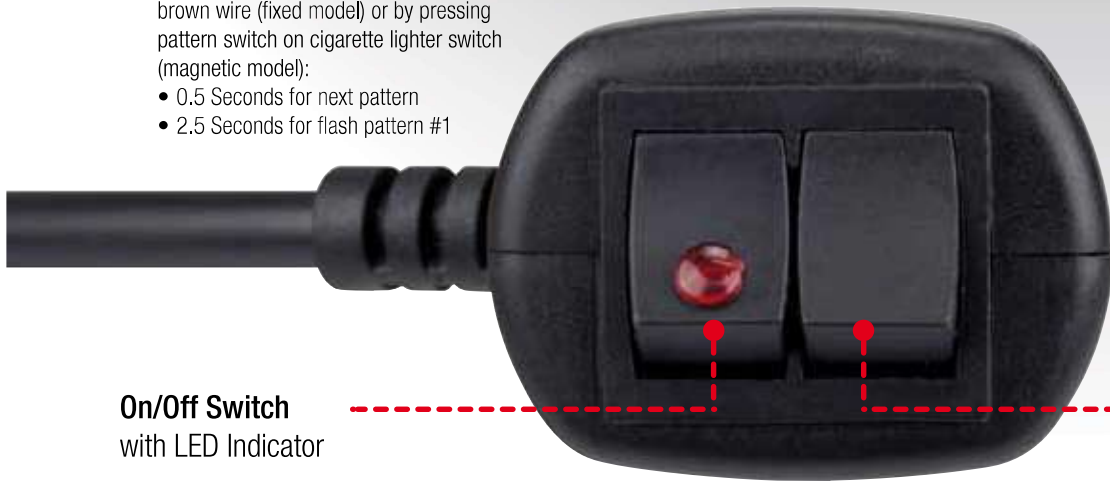
SPECIFICATIONS

	RB122Y	RB122MY	RB122PY
Function	10 Selectable Flash Patterns	10 Selectable Flash Patterns	10 Selectable Flash Patterns
Light Source	64 SMD LED's	64 SMD LED's	64 SMD LED's
Flash / Rotation Rate	10 Flash Patterns	10 Flash Patterns	10 Flash Patterns
Dimensions	110x89mm	110x89mm	90x176mm
Current Draw Amps	2.3A @ 13.8V	2.3A @ 13.8V	2.3A @ 13.8V
Mounting Type	3 Hole Fixed 103mm Centre to Centre	Magnetic Mount	DIN Pole Mount
Wiring	300mm Sheathed	2500mm Lead with Cig.Plug	DIN Plug inc. in Pole Mount
Approvals	EMC, ECE R10 & SAE class 1 approved	EMC, ECE R10 & SAE class 1 approved	EMC, ECE R10 & SAE class 1 approved

FLASH PATTERN OPERATION

For flash pattern change: Momentarily apply +VDC to brown wire (fixed model) or by pressing pattern switch on cigarette lighter switch (magnetic model):

- 0.5 Seconds for next pattern
- 2.5 Seconds for flash pattern #1

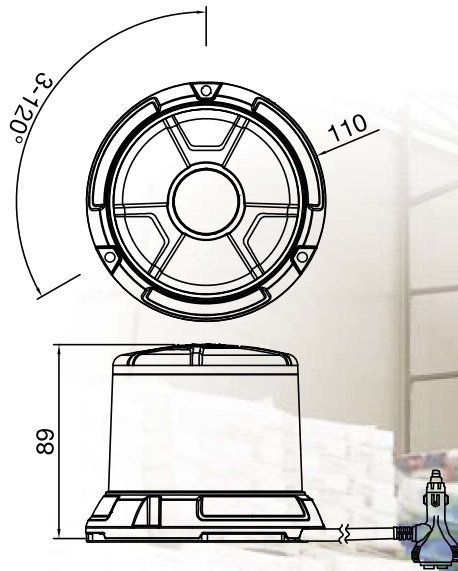


On/Off Switch
with LED Indicator

Cigarette lighter switch only available in magnetic mount

Flash Pattern Switch:
Momentarily push switch to change flash patterns

LINE DIAGRAM - RB122Y & RB122MY



FLASH PATTERNS

1	Single (ECE/SAE) 480ms	2	Single 800ms
3	Double 400ms	4	Double 800ms
5	Triple 820ms	6	Quad 820ms
3	F&B Half 400ms	4	F&B Half 800ms
9	Rotated 800ms	10	Rotated 400ms

LINE DIAGRAM - RB122PY

