



FEATURES

- Compact low profile 10 function 360° high intensity beacons
- Single, double, triple, quad & simulated rotating flash patterns
- Multi-volt 10-30V input & low current draw
- 32 SMD LED's produce 28W
- 100,000 hour rated LED lifespan
- Maintenance free solid state technology
- Tough polycarbonate lens & aluminium body
- Waterproof IP67 rated and vibration proof
- Compact low profile 112 x 48mm body
- Available in 3 hole fixed, magnetic or DIN pole mounts
- EMC CISPR25 Class 5 & SAE Class 1 Approved
- Multi-unit simultaneous & alternate synchronisation*

LED BEACONS



MULTI-VOLT
10-30 VDC



POLYCARB
LENS



ALUMINIUM
HOUSING



WATERPROOF
IP67



EMC
CISPR25
CLASS 5
APPROVED



SAE
CLASS 1
APPROVED



ALTERNATE &
SYNCHRONISED



5YR
WARRANTY

Roadvision's RB112 Series compact 360° high intensity beacons are at the forefront of automotive lighting technology.... Featuring state-of-the art LED technology, the REVOLVER Series of Roadvision LED beacons are specifically designed and engineered to not only meet, but exceed Australian and international regulations. With a tough Aluminium housing and impact resistant polycarbonate lens, the RB112 Series are built to last in even the toughest conditions. Featuring 32 SMD LED's and with 10 selectable flash patterns - including single, double, triple, quad & simulated rotating – plus multiple units can be set to a synchronised or alternate configuration. The RB112 Series are the perfect LED beacon for a wide range of industrial applications.

PART NUMBERS



RB112Y

Low Profile Beacon LED 10-30V 10 Flash Patterns with Synchronisation Amber Fixed Mount



RB112MY

Low Profile Beacon LED 10-30V 10 Flash Patterns Amber Magnetic Mount



RB112PY

Low Profile Beacon LED 10-30V 10 Flash Patterns Amber DIN Pole Mount

SPECIFICATIONS	RB112Y	RB112MY	RB112PY
FUNCTION	10 Selectable Flash Patterns	10 Selectable Flash Patterns	10 Selectable Flash Patterns
LIGHT SOURCE	32 SMD LED's	32 SMD LED's	32 SMD LED's
FLASH / ROTATION RATE	10 Flash Patterns	10 Flash Patterns	10 Flash Patterns
SYNCHRONISATION	Multi-unit simultaneous & alternate synchronisation*	NA	NA
DIMENSIONS	112x48mm	112x48mm	90x135mm
CURRENT DRAW AMPS	1.9A @ 13.8V	1.9A @ 13.8V	1.9A @ 13.8V
MOUNTING TYPE	3 Hole Fixed 103mm Centre to Centre	Magnetic Mount	DIN Pole Mount
WIRING	300mm Sheathed	2500mm Lead with Cig. Plug	DIN Plug inc. in Pole Mount
APPROVALS	EMC CISPR25 Class 5 & SAE Class 1 Approved	EMC CISPR25 Class 5 & SAE Class 1 Approved	EMC CISPR25 Class 5 & SAE Class 1 Approved



FLASH PATTERN OPERATION

For flash pattern change: Momentarily apply +VDC to brown wire (fixed model) or by pressing pattern switch on cigarette lighter switch (magnetic model):

- 0.5 Seconds for next pattern
- 2.5 Seconds for flash pattern #1



ON/OFF SWITCH
with LED Indicator

FLASH PATTERN SWITCH
Momentarily push switch to change flash patterns

Cigarette lighter switch only available in magnetic mount

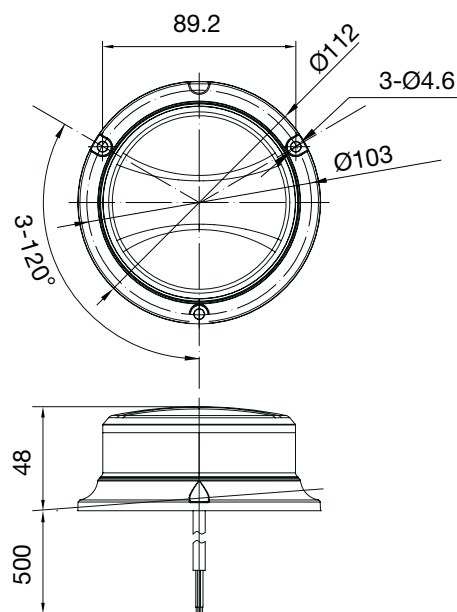
WIRING

- Red – Positive Supply
- White – Negative
- Brown – Flash Pattern Select (Sync)
- Yellow – Alternate Sync Enable

FLASH PATTERNS

1	Single (ECE/SAE) 480ms
2	Single 800ms
3	Double 400ms
4	Double 800ms
5	Triple 820ms
6	Quad 820ms
7	F&B Half 400ms
8	F&B Half 800ms
9	Rotated 800ms
10	Rotated 400ms

LINE DIAGRAM - RB112Y (FIXED MOUNT) & RB112MY (MAGNETIC MOUNT)



LINE DIAGRAM - RB112PY (POLE MOUNT)

