



FEATURES

- S8 Stealth Series 8" Driving Light
- Amber or White DRL Halo
- Blackout mounting hardware
- Includes Black cover with DRL Halo window
- 24 x 6W Cree LED's produce super white light close to daylight
- Multi-volt 10-30V DC input & low current draw
- 50,000 hour LED lifespan with solid state technology
- Thermal Management Technology
- Lightweight tough die-cast aluminium housing & polycarbonate lens
- Water & dust proof IP68 rated
- Over/under voltage, reverse polarity protection
- CISPR25 approved

LED DRIVING LAMPS



THERMAL
MANAGEMENT
TECHNOLOGY



AMBER OR
WHITE HALO



MULTI-VOLT
10-30 VDC



POLYCARB
LENS



COLOUR
TEMP



WATERPROOF



OVER/UNDER
VOLTAGE
PROTECTION



REVERSE
POLARITY
PROTECTION



DEUTSCH
CONNECTOR



CREE LEDS



CLASS 3
APPROVED



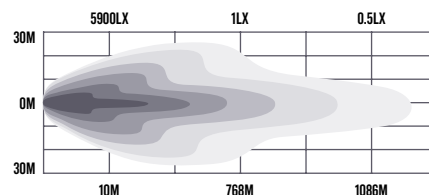
7 YEAR
WARRANTY

Elevate your larger 4WDs and Trucks with Roadvision's S8 Stealth Series Driving Lights. With contemporary black mounting hardware and innovative dual-colour HALO DRL, these lights feature a stylish bezel-less design. The 24 x 6W Cree LEDs illuminate with an impressive 7937lm per light, projecting a remarkable 768 metres (1086 metres per pair) beam penetration at 1 lux, thanks to Roadvision's Thermal Management Technology. Built to withstand harsh conditions, the S8 series boasts a robust yet lightweight aluminium housing and a durable polycarbonate lens. Redefine your driving experience with the S8 series' tough aesthetic and unparalleled lighting prowess. Meanwhile, our 8" light with a low-profile bracket optimises your bull bar space. Embrace the benefits of 9" light output while enjoying a sleeker, more rugged appearance, unlocking your vehicle's full lighting potential with style and functionality.

PART NUMBER



RDL8800C
8" LED Driving Light 10-30V 132W Combination Beam

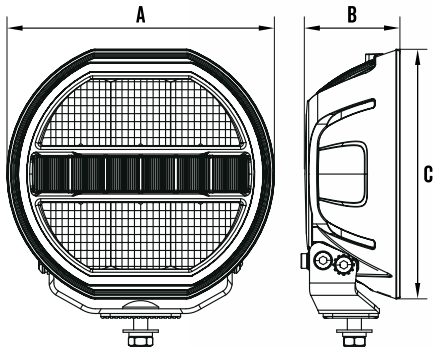


SPECIFICATIONS	RDL8800C
BEAM PATTERN	Combination
LUMENS PER LIGHT (PAIR)	7,937Lm (15,874lm)
LUX @ 10M PER LIGHT (PAIR)	5,900Lx (11,800lx)
BEAM DISTANCE @ 1LX PER LIGHT (PAIR)	768m (1,086m)
BEAM DISTANCE @ 0.5LX PER LIGHT (PAIR)	1,086m (1,536m)
INPUT VOLTAGE	10-30VDC
MAXIMUM WATTS	132W
NUMBER OF LEDS	24 x 6W Osram
CURRENT DRAW @ 13.8V	9.6 Amps
LENS CONSTRUCTION	Polycarbonate
HOUSING CONSTRUCTION	Die-Cast Aluminium
DIMENSIONS AXBXC	232 x 83 x 218mm
WIRING DRIVING LIGHTS	2 Pin Deutsch Plug, Red - Driving Light +Ve, Black - Driving Light -Ve
WIRING DRL HALO	Blue - Amber Position Light +Ve, White - White Position Light +Ve

HALO DRL
AMBER OR WHITE



LINE DIAGRAM



LED DRIVING LAMPS