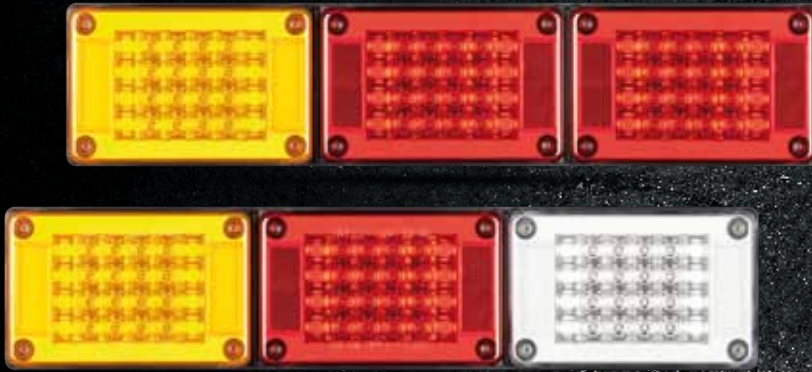


FEATURES

- Jumbo LED combination lamp range
- Multi-volt 10-30V DC input & low current draw
- Brighter than conventional incandescent systems
- 100,000 hour LED life span with solid state technology
- Maintenance free
- High impact ABS housing & sealed polycarbonate lens
- Water and dust proof
- Pre-wired with 300mm LEDLink Connector
- Simple surface mount design
- Retro-fits in place of existing jumbo lamps
- ADR/ECE approved for all functions



ROADVISION's BR601 Series LED jumbo combination lamps are an all-in-one quality solution for heavy duty trucks and trailers... Roadvision's BR601 Series LED jumbo combination lamps deliver the durability of maintenance free LED technology and greater visibility providing increased safety. A complete heavy duty all-in-one solution with stop, tail, indicator, reflector and the option of reverse all in the one lamp. The BR601 Series combination lamps produce more light output than incandescent lamps, whilst drawing a fraction of the current. Couple this with unbreakable polycarbonate lenses and an extremely tough housing manufactured from high impact ABS, these lamps are dust & water proof and totally maintenance free, with a life span rated at 100,000 hours. With ROADVISION it's FIT and FORGET.

PART NUMBERS

 <p>BR601AR Combination Lamp Twin Module LED 10-30V 402x132mm Rect Stop/Tail/Ind</p>	 <p>BR601ARR Combination Lamp Triple Module LED 10-30V 604x132mm Rect Stop/Tail(x2)/Ind</p>	 <p>BR601ARW Combination Lamp Triple Module LED 10-30V 604x132mm Rect Stop/Tail/Ind/Rev</p>
--	---	---

SPECIFICATIONS	BR601AR	BR601ARR	BR601ARW
LAMP FUNCTIONS	Stop/Tail/Indicator/Reflector	Stop/Tail/Indicator/Reflector	Stop/Tail/Indicator/Reverse/Reflector
INPUT VOLTAGE	10-30 VDC	10-30 VDC	10-30 VDC
NUMBER OF LED'S	Indicator - 24 LED's, Stop/Tail - 24 LED's	Indicator - 24 LED's, Stop/Tail - 48 LED's	Indicator - 24 LED's, Stop/Tail - 24 LED's, Reverse - 24 LED's
CURRENT DRAW AMPS	Ind - 0.1A, S/T - 0.1/0.05A @ 13.8V	Ind - 0.1A, S/T - 0.1/0.05A @ 13.8V	Ind - 0.1A, S/T - 0.1/0.05A, Rev - 0.2A @ 13.8V
LENS CONSTRUCTION	Polycarbonate	Polycarbonate	Polycarbonate
HOUSING CONSTRUCTION	High Impact ABS	High Impact ABS	High Impact ABS
MOUNTING DEPTH	Surface Mount	Surface Mount	Surface Mount
MOUNTING HOLE / CUT OUT	300mm & 124mm	501mm & 325mm	501mm & 325mm
DIMENSIONS AXBXC	402x132x41mm	604x132x41mm	604x132x41mm
CABLE LENGTH	300mm LEDLink Connector	300mm LEDLink Connector	300mm LEDLink Connector
APPROVALS	Ind - CRN 46082, Stop - CRN 46121, Tail - CRN 46120	Ind - CRN 46082, Stop - CRN 46121, Tail - CRN 46120	Ind - CRN 46082, Stop - CRN 46121, Tail - CRN 46120, Rev - CRN 46122
CTA APPROVALS	CTA-060775	CTA-060775	CTA-060773

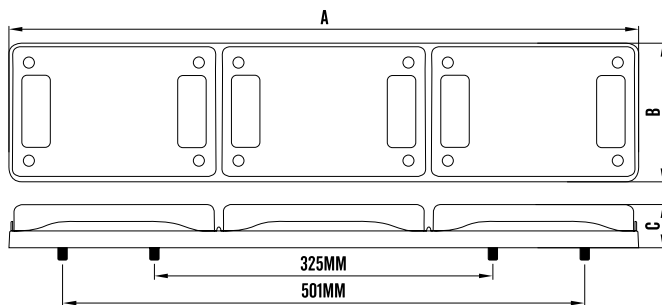


BR601 SERIES MODULE REPLACEMENT

Damage a module on your BR601 Series lamp, there's no need to replace the entire assembly. Simply remove the damaged module and replace it, there's no need to even remove the lamp assembly from the vehicle. It's that easy!

LINE DIAGRAM

BR601ARR/W



BR601AR

