

NUTS & BOLTS

- 4 x M8 Tamper proof Cap Screws
- 2 x M6 Cap Screws
- 2 x retaining Blocks
- 2 x M8 Nuts

- 2 x M6 Nuts
- 1 x M10 Locking Nut
- 2 x M8 Locking Nuts
- 1 x M10 Flat Washers

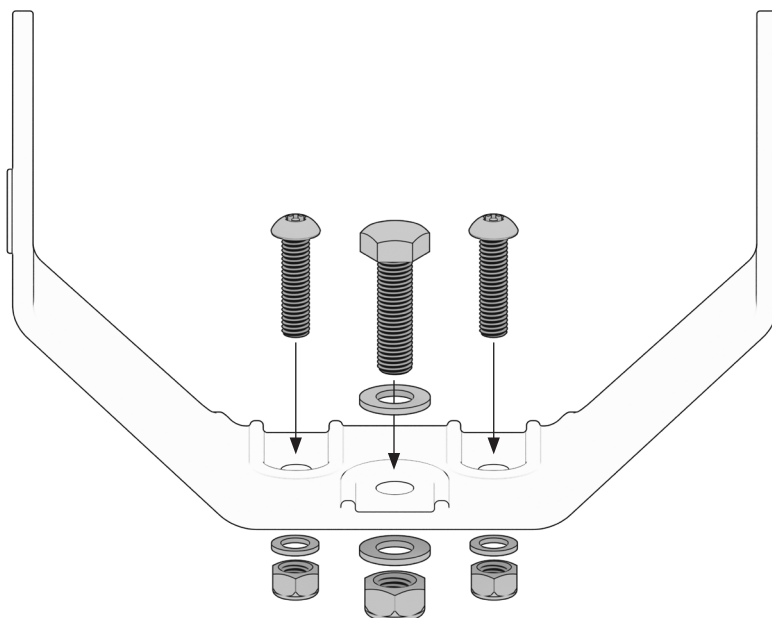
- 4 x M8 Flat Washers
- 2 x M6 Flat Washers
- 4 x M8 Spring Washers
- 2 x M6 Spring Washers

TOOLS

- 1 x Torx Key
- 1 x Allen-Hex Key

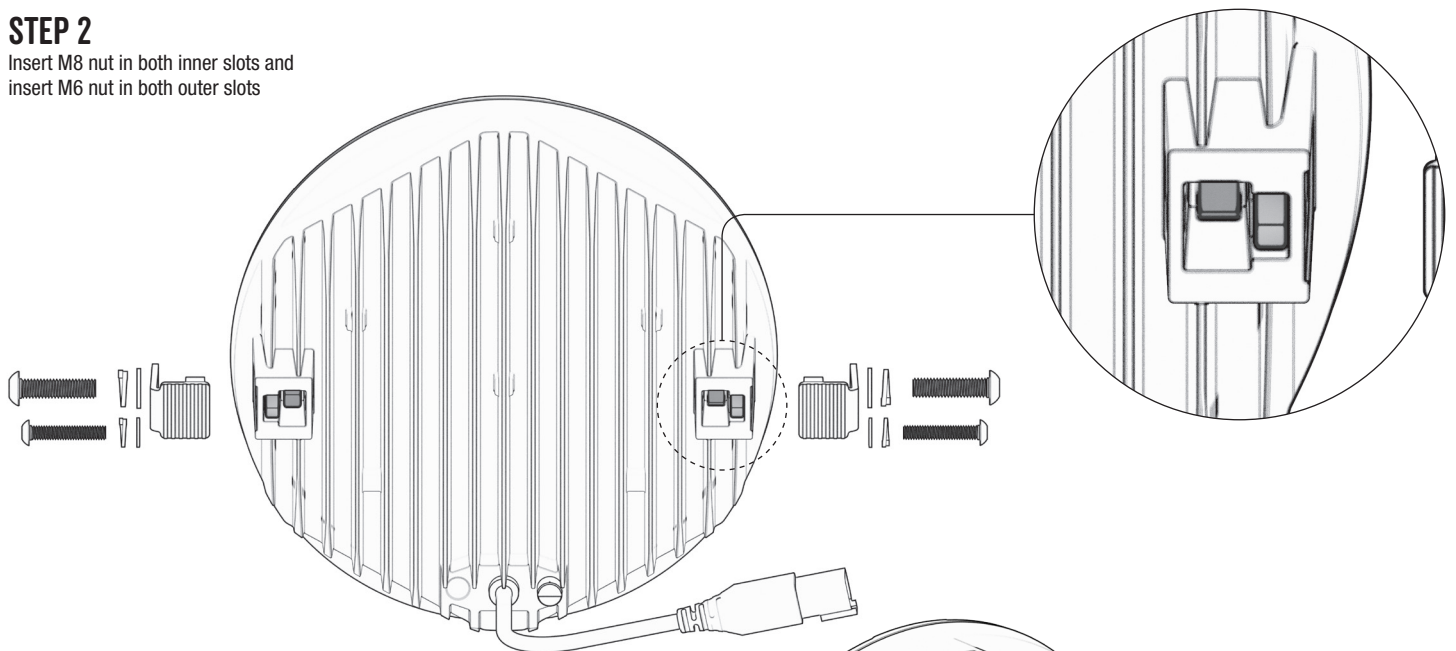
STEP 1

Assemble the bottom bolts, washers and locking nuts.



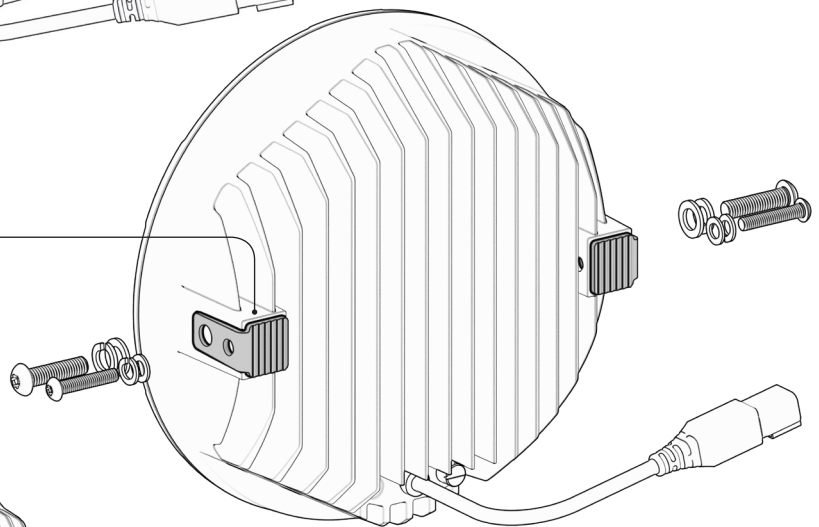
STEP 2

Insert M8 nut in both inner slots and insert M6 nut in both outer slots



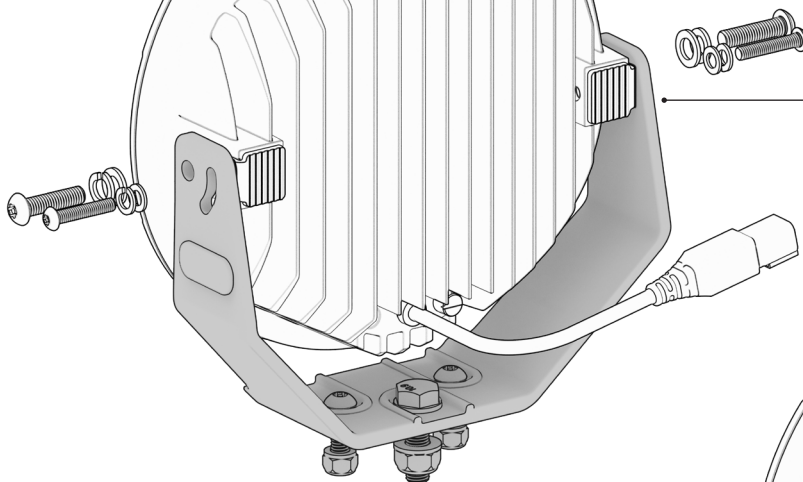
STEP 3

Insert both retaining blocks to cover the M8 & M6 nuts.



STEP 4

Align the mounting bracket to the retaining block holes



STEP 5

Attach the mounting bracket using the corresponding bolts, washers and wrenches supplied.

- 2 x M8 x 30mm Tamper proof Cap Screws
- 2 x M6 x 30mm Cap Screws
- 2 x M8 Flat Washers
- 2 x M8 Spring Washers
- 2 x M6 Flat Washers
- 2 x M6 Spring Washers

WITH THE MOUNTING BRACKET INSTALLED YOU CAN NOW FIT YOUR DOMINATOR EXTREME II TO YOUR VEHICLE

