

# LED Work Lamps



## FEATURES

- RWL34/36 Series LED work lamps produce up to 2400lm of instant light output
- Available in 4 or 6 LED flood or spot beams
- 3W Osram Hi-Lux spot or 5W Cree flood LED's
- Multi-volt 10-30V DC input & super low current draw
- 50,000 hour LED lifespan with solid state technology
- Light weight tough die-cast aluminium housing & polycarbonate lens
- Water & dust proof IP67 rated
- Simple 2 wire installation
- Over/under voltage, reverse polarity protection & EMI/EMC radio interference approved

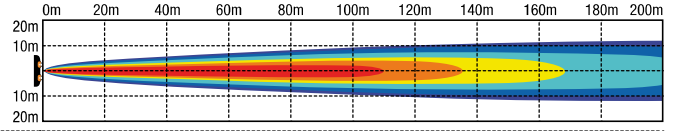


ROADVISION's RWL34/36 Series square work lamps offer uncompromised performance and energy efficiency in a compact, easy to install package. The RWL34/36 Series are designed to match the perfect LED and beam patterns, resulting in longer spot beam penetration utilizing 3W Hi-Lux Osram LED's and higher lux wider angle flood beams with 5W Cree LED's. Available in 4 or 6 LED configurations, they deliver the perfect light beam patterns for any application. Water and dust proof to IP67, the RWL34/36 Series feature a super durable light weight diecast housing and polycarbonate lens, allowing for worry free operation in even the toughest conditions.

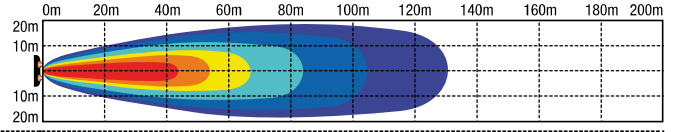
## PART NUMBERS



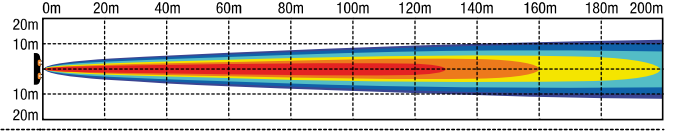
**RWL3412S**  
Work Lamp LED 10-30V 12W Square Spot Beam



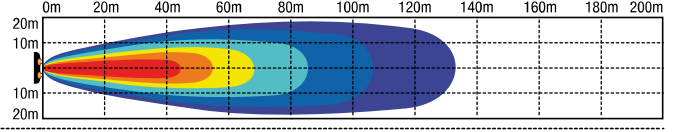
**RWL3420F**  
Work Lamp LED 10-30V 20W Square Flood Beam



**RWL3618S**  
Work Lamp LED 10-30V 18W Square Spot Beam



**RWL3630F**  
Work Lamp LED 10-30V 30W Square Flood Beam

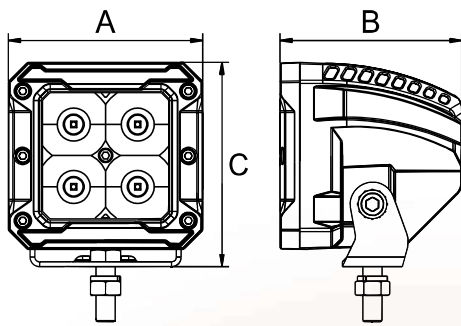


RWL34/36 SERIES

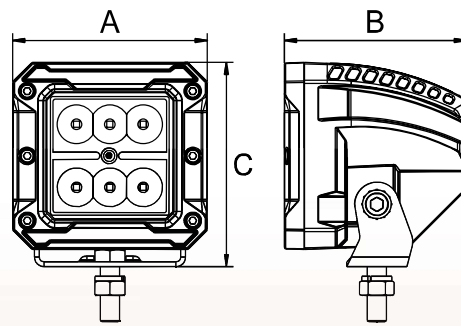
**SPECIFICATIONS**

	<b>RWL3412S</b>	<b>RWL3420F</b>	<b>RWL3618S</b>	<b>RWL3630F</b>
Lumens Light Output (Effective)	960lm	1600lm	1440lm	2400lm
Power Watts	12W	20W	18W	30W
Lux @ 10m	380 Lux	42 Lux	416 Lux	44 Lux
Input Voltage	10-30VDC	10-30VDC	10-30VDC	10-30VDC
Current Draw Amps	0.9 Amps	1.5 Amps	1.4 Amps	2.2 Amps
Dimensions AxBxC	81x76x85mm	81x76x85mm	81x76x85mm	81x76x85mm
Wiring	2 Pin Deutsch Plug	2 Pin Deutsch Plug	2 Pin Deutsch Plug	2 Pin Deutsch Plug

**LINE DIAGRAM - 3400 SERIES**



**LINE DIAGRAM - 3600 SERIES**



RWL34/36 SERIES