



FEATURES

- Low profile 10 function 360° high intensity LED light bars
- Single, triple, & combination flash patterns
- 34" to 59" bar lengths
- Multi-volt 10-30V input & low current draw
- High intensity SMD LED's produce up to 111W
- 100,000 hour rated LED lifespan
- Maintenance free solid state technology
- Tough polycarbonate lens & housing
- Waterproof IP67 rated and vibration proof
- Low profile 217 wide x 90mm high
- Supplied with 4 leg fixed mount & 2.5m cig plug
- EMC, ECE R65/R10 & SAE J845 class 1 approved

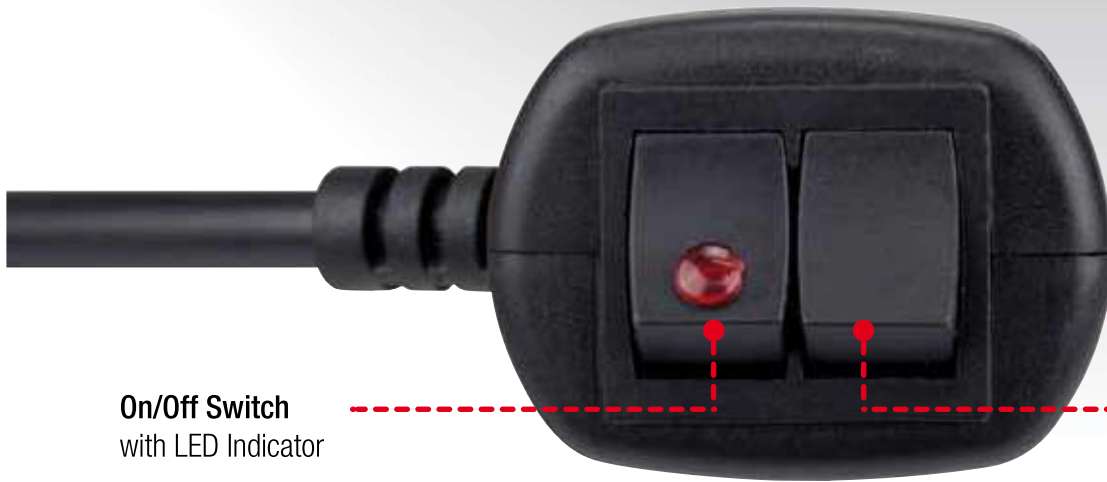


Setting the standard in emergency lighting... Introducing REVOLVER by Roadvision. Original equipment quality light bars combined with state-of-the art LED technology. Roadvision's Revolver LED light bars are at the forefront of automotive lighting technology, specifically designed and engineered to not only meet, but exceed Australian and international regulations. Available in 34" to 59" bar lengths, the RLB500 Series low profile light bars are perfect for applications where vehicle visibility is paramount. With up to a massive 111W of light output and a 100,000 hour rated LED lifespan, the RLB Series offer super high performance in a compact and maintenance free package. Whether it's through dust, mist or fog, the REVOLVER Series LED compact light bars ensure vehicle visibility in even the toughest conditions.

PART NUMBERS

	RLB534Y Light Bar LED 10-30V 34" 10 Flash Patters Amber Fixed Mount				
	RLB540Y Light Bar LED 10-30V 40" 10 Flash Patters Amber Fixed Mount				
	RLB547Y Light Bar LED 10-30V 47" 10 Flash Patters Amber Fixed Mount				
	RLB553Y Light Bar LED 10-30V 53" 10 Flash Patters Amber Fixed Mount				
	RLB559Y Light Bar LED 10-30V 59" 10 Flash Patters Amber Fixed Mount				

FLASH PATTERN OPERATION



On/Off Switch
with LED Indicator

Flash Pattern Switch:
Momentarily push switch
to change flash patterns

SPECIFICATIONS

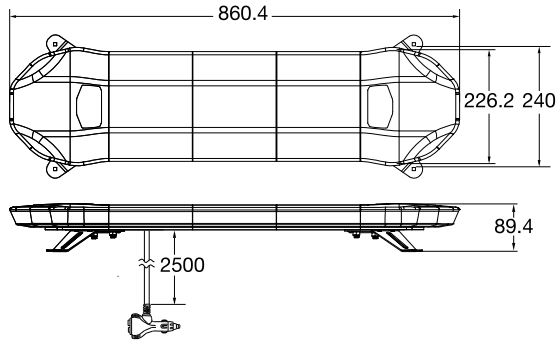
	RLB534Y	RLB540Y	RLB547Y	RLB553Y	RLB559Y
Light Bar Size	34"	40"	47"	53"	59"
Function	10 Selectable Flash Patterns	10 Selectable Flash Patterns	10 Selectable Flash Patterns	10 Selectable Flash Patterns	10 Selectable Flash Patterns
Light Source	88 SMD LED's	104 SMD LED's	120 SMD LED's	136 SMD LED's	152 SMD LED's
Watts	66W	77W	89W	100W	111W
Dimensions	860x227x90mm	1021x227x90mm	1181x227x90mm	1341x227x90mm	1502x227x90mm
Current Draw Amps	4.8 Amps @ 13.8V DC	5.6 Amps @ 13.8V DC	6.5 Amps @ 13.8V DC	7.3 Amps @ 13.8V DC	8.1 Amps @ 13.8V DC
Mounting Type	4 Bolt Fixed Mount	4 Bolt Fixed Mount	4 Bolt Fixed Mount	4 Bolt Fixed Mount	4 Bolt Fixed Mount
Wiring	2500mm Lead with Cig.Plug	2500mm Lead with Cig.Plug	2500mm Lead with Cig.Plug	2500mm Lead with Cig.Plug	2500mm Lead with Cig.Plug
Approvals	EMC, ECE R65/R10, SAE Class 1	EMC, ECE R65/R10, SAE Class 1	EMC, ECE R65/R10, SAE Class 1	EMC, ECE R65/R10, SAE Class 1	EMC, ECE R65/R10, SAE Class 1

FLASH PATTERNS

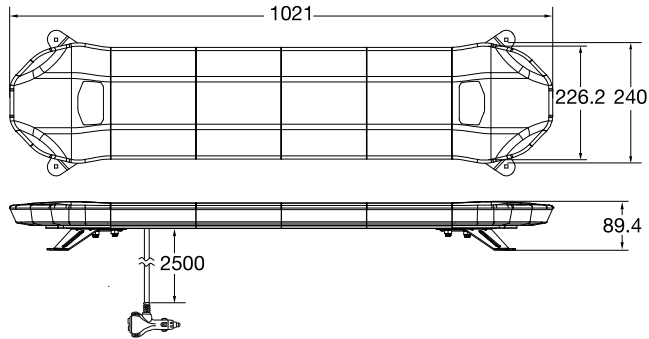
1	Single (ECE/SAE), Cycle:480ms	2	Combination (Middle --both side--left side--right side--left & right)
3	Combination (1--5)	4	Combination(1--3--5)
5	Combination (slow left & right--fast left & right--all quintuplicate)	6	Combination (left & right triple--all triple)
7	Triple flash	8	Combination (left & right double--all triple)
9	Combination (left triple--right triple)	10	Combination (Middle flash--Both sides flash)

LED Light Bars

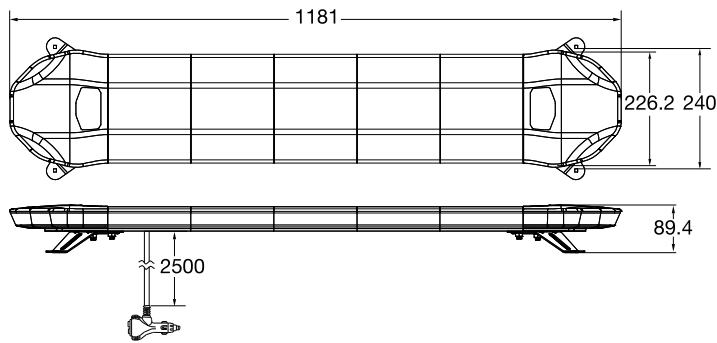
LINE DIAGRAM



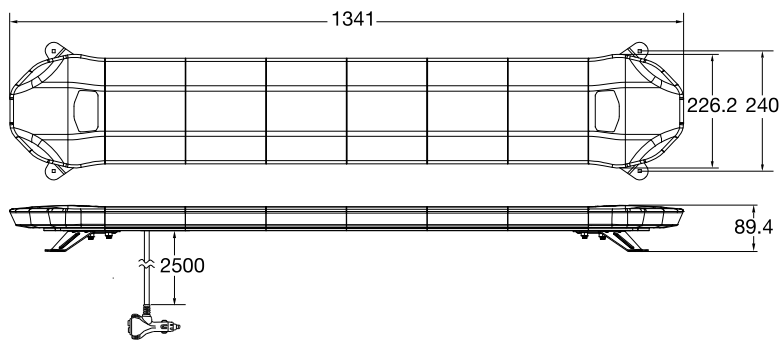
RLB534Y



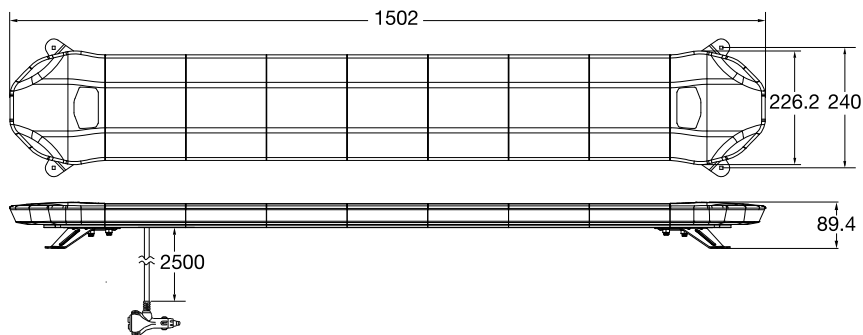
RLB540Y



RLB547Y



RLB553Y



RLB559Y