



## FEATURES

- LED 5 function 360° high intensity beacons
- Single, double, triple, quad & simulated rotating flash patterns
- Multi-volt 10-30V input & low current draw
- 32 SMD LED's produce 28 watts
- 100,000 hour rated LED life span
- Maintenance free solid state technology
- Tough polycarbonate lens and housing
- Weatherproof IP67 rated and vibration proof
- Compact 166 x 150mm (fixed & magnetic) or 200 x 150mm (DIN pole) body
- Available in 3 hole fixed, magnetic or DIN pole mounts
- EMC CISPR25 Class 5 Approved & SAE Class 1

LED BEACONS



MULTI-VOLT  
10-30 VDC



POLYCARB  
LENS



POLYCARB  
HOUSING



WATERPROOF  
IP67



EMC  
CISPR25  
CLASS 5  
APPROVED



SAE  
CLASS 1  
APPROVED



5 YEAR  
WARRANTY

Setting the standard in emergency lighting... Introducing REVOLVER by Roadvision. Original equipment quality revolving beacons combined with state-of-the-art LED technology. Roadvision's Revolver LED beacons are at the forefront of automotive lighting technology, specifically designed and engineered to not only meet, but exceed Australian and international regulations. Roadvision's high performance Revolver Series beacons are manufactured with LED's, (Light Emitting Diodes) rather than regular halogen or xenon strobe bulbs. These lamps are designed to be more efficient with a robust construction providing environmental sustainability with no maintenance required. Roadvision's Revolver Series beacons are ideal for original equipment manufacturers and aftermarket retrofitting to on-highway, mining and industrial applications. Featuring multi-voltage 10-30V input, high impact polycarbonate lens and housing, they offer superior construction quality and extreme durability. The Revolver's high performance LED's produce 28 watts whilst only drawing 1.4 amps, making it an ideal solution for on-highway use, especially where voltage drop is an issue. Designed specifically for the harshest Australian conditions, the Revolver beacons are EMC CISPR25 Class 5 approved and completely dust and water proof to IP67. Standard with 5 flash patterns\*, including simulated rotating and available in different mounting and colour combinations, there is a Revolver LED beacon for every application! Roadvision... Leading the industry in lighting technology!

\*DIN Pole Mount version only available in single simulated rotating pattern

## PART NUMBERS



**RB1552Y**  
Beacon LED 10-30V 5 Flash Patterns Amber Fixed Mount



**RB1552MY**  
Beacon LED 10-30V 5 Flash Patterns Amber Magnetic Mount



**RB1552PY**  
Beacon LED 10-30V Simulated Rotating Amber DIN Pole Mount



SPECIFICATIONS	RB1552Y (FIXED)	RB1552MY (MAGNETIC)	RB1552PY (DIN POLE)
FUNCTION	5 Selectable Flash Patterns	5 Selectable Flash Patterns	Simulated Rotator
LIGHT SOURCE	32 SMD LED's	32 SMD LED's	32 SMD LED's
FLASH / ROTATION RATE	5 Flash Patterns	5 Flash Patterns	140rpm
DIMENSIONS	166x150mm	166x150mm	200x118mm
CURRENT DRAW AMPS	2.7A @ 13.8V	2.7A @ 13.8V	2.7A @ 13.8V
OPERATING TEMPERATURE	-40°C to +65°C	-40°C to +65°C	-40°C to +65°C
MOUNTING TYPE	3 Hole Fixed Multi-Fit	Magnetic Mount	DIN Pole Mount
WIRING	300mm Sheathed	2500mm Curly Cord with Cig.Plug	DIN Plug inc. in Pole Mount
APPROVALS	EMC CISPR25 Class 5 & SAE Class 1 Approved	EMC CISPR25 Class 5 & SAE Class 1 Approved	EMC CISPR25 Class 5 & SAE Class 1 Approved

### FLASH PATTERN OPERATION

For flash pattern change: Momentarily apply +VDC to green wire (fixed model) or by pressing pattern switch on cigarette lighter switch (magnetic model):

- 0.5 Seconds for next pattern
- 2.5 Seconds for flash pattern #1

### FLASH PATTERNS

1	Single
2	Double
3	Triple
4	Quad
5	Simulated Rotating (140rpm)



**ON/OFF SWITCH**  
with LED Indicator

**FLASH PATTERN SWITCH**  
Momentarily push switch to change flash patterns

Cigarette lighter switch only available in magnetic mount



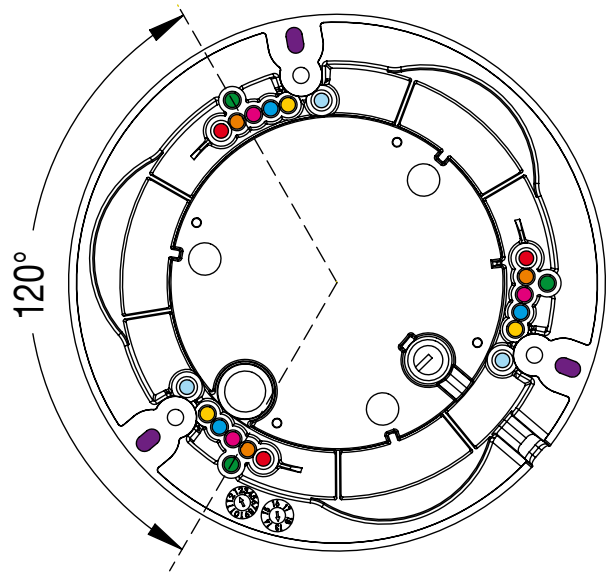
## MULTI-FIT FIXED MOUNT

Featuring 8 possible 3 hole mounting configurations at 120° apart between 113 and 152.5mm diameter.

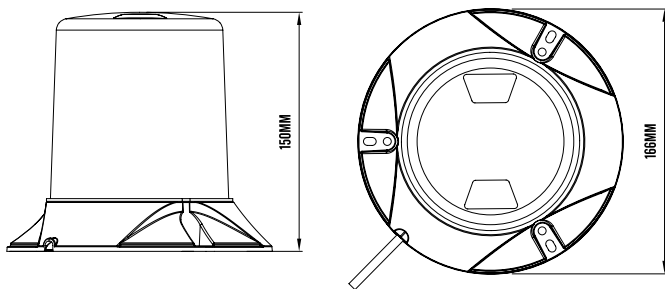
### MOUNTING HOLES ARE AS FOLLOWS:

- 3 x 152.5mm diameter
- 3 x 130mm diameter
- 3 x 118mm diameter
- 3 x 117mm diameter
- 3 x 116mm diameter
- 3 x 115mm diameter
- 3 x 114mm diameter
- 3 x 113mm diameter

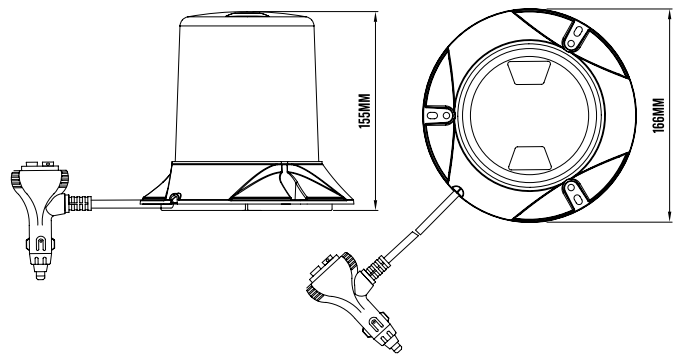
**PLEASE NOTE:** Mounting holes are 4.5mm in diameter.



LINE DIAGRAM - RB1552Y



LINE DIAGRAM - RB1552MY



LINE DIAGRAM - RB1552PY

