

# LED Indicator Lamps

BR1/BR2 SERIES



## FEATURES

- Multi-volt 10-30V input & low current draw
- Brighter than conventional incandescent systems
- 100,000 hour LED life span with solid state technology
- High impact ABS housing & sealed polycarbonate lens
- Supplied pre-wired with 0.5m or 2.5m of sheathed tinned copper cable
- Compact body allows fitment into tight applications
- Separate clip in lenses and surface mount bases
- ADR/ECE approved for supplementary side direction indicator and marker lamp functions
- Optional chrome dress-up bracket
- Available in single or bulk packs (BR#AB10)



ROADVISION's BR1/BR2 Series supplementary side direction indicator lamps tick all the right boxes... Brighter, safer, stronger, easier to fit, longer lasting and better looking! Roadvision's super bright BR1/BR2 Series indicator/marker lamps deliver the durability of maintenance free LED technology, and greater visibility providing improved safety. ROADVISION's BR1/BR2 Series indicator/marker lamps produce more light output than incandescent lamps whilst drawing a fraction of the current. Couple this with unbreakable polycarbonate lenses and an extremely tough housing manufactured from high impact ABS, these lamps are water and dust proof, and totally maintenance free, with a lifespan rated at 100,000 hours. With ROADVISION it's FIT and FORGET.

## PART NUMBERS



### BR1A

Supplementary Side Direction Indicator Lamp LED 10-30V 60x30mm Rect. Surface/Bracket Mount Amber 0.5m Lead



### BR2A

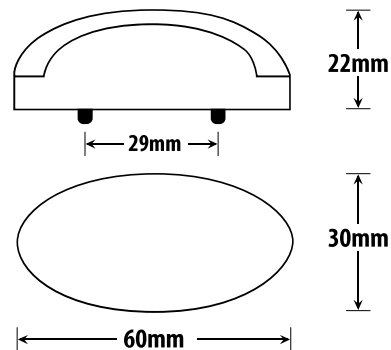
Supplementary Side Direction Indicator Lamp LED 10-30V 60x30mm Rect. Surface/Bracket Mount Amber 2.5m Lead



## SPECIFICATIONS

	BR1/2
Current Draw Amps	0.05A @ 13.8V
Dimensions	60x30x22mm
Mounting Depth	Surface/Bracket Mount
Mounting Hole / Cut Out	29mm
Lamp Functions	Supplementary Side Direction Indicator
Number of LED's	Indicator - 4 LED's
Approvals	6/00 - CRN 46471, 74/00 - CRN 46387

## LINE DIAGRAM



## SPARE PARTS & ACCESSORIES



### BR12CB

Chrome Dress Up Bracket



### BR12

LED Load Resistor 12V



### BR12WB

White Dress Up Bracket



### BR24

LED Load Resistor 24V