



### FEATURES

- Instant light output surpassing 24 volt 70 watt halogen
- Produces a super white light temperature similar to daylight
- Super low power consumption of less than 0.8 amps
- 100,000 hour LED life span with solid state technology
- Zero maintenance for the life of the vehicle\*
- Light weight die-cast aluminium housing
- Unbreakable polycarbonate lens
- IP69K ingress protection (submersible to 3m)
- Completely sealed from dust and water
- Supplied pre-wired with external driver box included
- Direct replacement for existing halogen lamps
- ADR/ECE approved
- 12V available on request



Making performance and productivity count... Original equipment quality head lamp systems combined with state-of-the-art LED technology. ROADVISION's new high performance head lamps are manufactured with LED's (Light Emitting Diodes) rather than regular halogen light bulbs. These high performance lamps are designed to be more efficient with a robust construction offering environmental sustainability with no maintenance required. Roadvision's LED head lamps are ideal for original equipment manufacturers and aftermarket retrofitting to modern styled trucks, buses and specialist vehicles. Roadvision's LED head lamps provide: reduced vehicle downtime and running costs, reduced engine, alternator and battery wear, zero maintenance for the life of the vehicle\*, reduced fuel consumption, engine load and CO2 emissions, greater visibility and reduced road glare, greater durability and endurance and a five-year limited warranty.

- Energy Efficient • Environmentally Friendly • Durable & Long Lasting • No Maintenance Costs • No Downtime Costs.

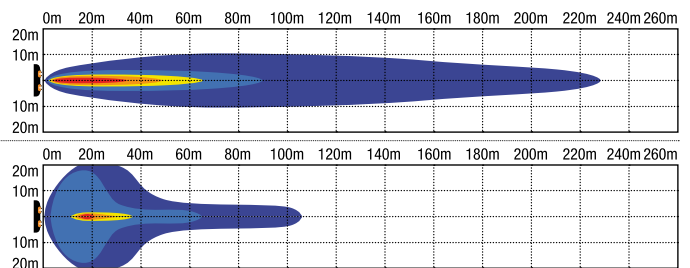
### PART NUMBERS



**RV90HB**  
Head Lamp LED High Beam 90mm



**RV90LB**  
Head Lamp LED Low Beam 90mm



### SPECIFICATIONS

	RV90HB	RV90LB
Beam Type	High Beam with Park	Low Beam
Lumens Light Output (Effective)	1000lm	700lm
Light Source	High Powered LED Modules 15W 4-chip plus 7.4W 2-chip	High Powered LED Modules 15W 4-chip
Power Watts	23W	17W
Current Draw Amps	0.8A @ 28.5V	0.6A @ 28.5V
Wiring	Supplied Pre-Wired with External Driver Box	Supplied Pre-Wired with External Driver Box
Dimensions	141.5x109.5mm	140.2x130.5mm

\*Lifetime based on 100,000 hour LED lifespan



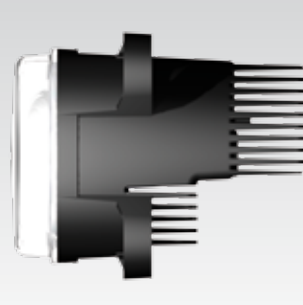
RV90HB Front View



RV90HB Side View



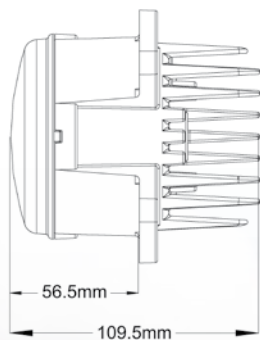
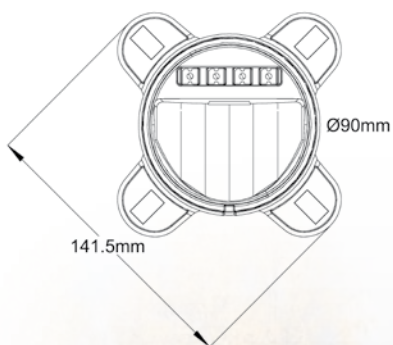
RV90LB Front View



RV90LB Side View

LINE DIAGRAM

RV90HB



RV90LB

