

FEATURES

- Multi-volt 10-30V DC input & low current draw
- Glow Tech tail light
- 100,000 hour LED life span with solid state technology
- Maintenance free
- High impact ABS housing and PMMA lens
- Water and dust proof
- Pre-wired with 300mm of sheathed tinned copper cable
- Sleek flush mount with chrome bezel
- ADR/ECE approved for all functions



LED COMBINATION LAMPS



ROADVISION's BR152 Series round LED signal lamps are a versatile stand alone or combination lamp solution, featuring Glow Tech tail lights they have both a contemporary yet classic look! Roadvision's super bright LED signal lamps deliver the durability of maintenance free LED technology and greater visibility, providing increased safety with minimum current draw. Couple this with unbreakable PMMA lenses and an extremely tough housing manufactured from high impact ABS, the BR152 Series will survive the toughest environments. They are dust, water proof and totally maintenance free, with a life span rated at 100,000 hours. With the ROADVISION BR152 Series, it's FIT and FORGET.

PART NUMBERS



BR152ARRC
LED LED Indicator/Stop/Tail Lamp 10-30V Round



BR152RRC
LED Stop/Tail Lamp 10-30V Round

PART NUMBERS



BR152RWC
LED Reverse/Tail Lamp 10-30V Round



BR152ARC
LED Indicator/Tail Lamp 10-30V Round

SPECIFICATIONS	BR152ARRC	BR152RRC	BR152RWC	BR152ARC
INPUT VOLTAGE	10-30 VDC	10-30 VDC	10-30 VDC	10-30 VDC
NUMBER OF LEDs	Indicator - 8 LEDs, Stop - 8 LEDs, Tail - 20 LEDs	Stop - 16 LEDs, Tail - 20 LEDs	Reverse - 16 LEDs, Tail - 20 LEDs	Indicator - 16 LEDs, Tail - 20 LEDs
CURRENT DRAW @ 13.8V	Ind - 0.1A, S/T - 0.2/0.15A @ 13.8V	Stop/Tail - 0.2/0.15A @ 13.8V	Rev - 0.2A, Tail - 0.15A @ 13.8V	Ind - 0.08A, Tail - 0.15A @ 13.8V
LENS CONSTRUCTION	PMMA	PMMA	PMMA	PMMA
HOUSING CONSTRUCTION	High Impact ABS	High Impact ABS	High Impact ABS	High Impact ABS
MOUNTING HOLE CENTRES	117 x 117 x 117mm	117 x 117 x 117mm	117 x 117 x 117mm	117 x 117 x 117mm
DIMENSIONS AXB	150 x 38mm	150 x 38mm	150 x 38mm	150 x 38mm
CABLE LENGTH	250mm Sheathed	250mm Sheathed	250mm Sheathed	250mm Sheathed
ADR APPROVAL	S/T - E9*7R02/27*22475*00, Ind - E9*6R01/28*22475*00, E9*3R02/17*22475*00	S/T - E9*7R02/27*22476*00, Ref - E9*3R02/17*22476*00,	Tail - E9*7R02/27*22471*00, Rev - E9*23R00/22*22471*00, Ref - E9*3R02/17*22471*00	Tail - E9*7R02/27*22470*00, Ind - E9*6R01/28*22470*00, Ref - E9*3R02/17*22470*00
WIRING	Earth - White, Stop - Red, Tail - Brown, Indicator - Yellow	Earth - White, Stop - Red, Tail - Brown	Earth - White, Tail - Brown, Reverse - Yellow	Earth - White, Tail - Brown, Indicator - Yellow



BR152ARRC



BR152RRC

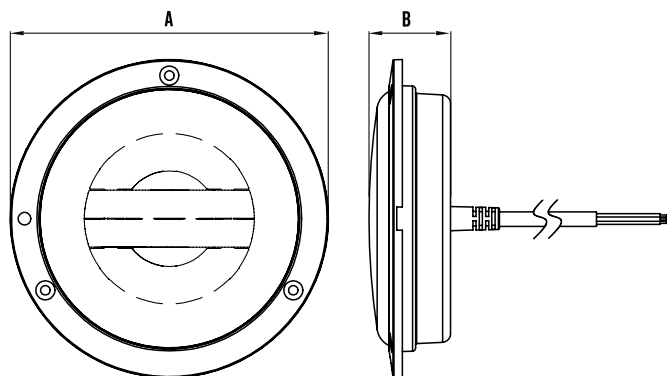


BR152ARC



BR152RWC

LINE DIAGRAM



LED COMBINATION LAMPS